

Brochure

CLADDING  
CEILING  
SCREENING  
DECKING

Product

Wai Ariki Hot Springs and Spa - NZ

**W H Y**  
**INNOWOOD**

INNOWOOD Products are manufactured predominantly from natural wood waste, to help prevent forest depletion through the sustainable use of recycled material.

## ABOUT INNOWOOD

Established in 2005, INNOWOOD is an Australian company and a leader in the design, manufacture and supply of composite timber products.

We pride ourselves on continuous improvement and innovation resulting in the delivery of high quality products and services for commercial, residential and industrial applications.

INNOWOOD products represent the ideal alternative to natural timber. Manufactured predominantly from natural wood waste, our products help to prevent forest depletion through the sustainable use of recycled material and energy management.

Being at the forefront of global composite timber technology, we are proud to be a cutting edge composite timber supplier, providing quality products, technical support and product solutions to architects, designers and builders. The versatility and product performance of our products contribute to our growth and success in Australia and overseas.



## 20 Years of INNOWOOD

---

Since 2005 INNOWOOD has been at the forefront of innovation, product development and performance in composite timber. After many years of extensive application, the reputation of our brand has grown to the point where today our products are specified far and wide, both nationally and internationally, and our brand was awarded one of the industry's highest accolades "Winner of Exterior Wall Material" by Architecture & Design in 2015.



Wildlife Retreat at Tzronga Zoo - NSW

## POSSIBILITIES & CHARACTERISTICS

INNOWOOD's material characteristics open a wide variety of possibilities and applications that include Cladding, Screening, Ceiling and Decking.

At INNOWOOD, we operate within an environment of continuous improvement and innovation. The development of our material's properties, performance, and texture is an ongoing process to continually improve the finishes, lifespan, and control the thermal expansion process. All InnoClad, InnoScreen and InnoCeil products may be upgraded to achieve a particular fire performance rating on request.



## FIRE PERFORMANCE PRODUCT

All INNOWOOD composite timber materials are high performance products in terms of their fire properties. INNOWOOD is tested based on the standard product fire rating under **AS1530.3** (EN ISO 11925-2:2010 + Cor1:2011), demonstrating a self-extinguishing nature with no support for spread of flame or further combustions.

INNOWOOD composite timber formulations have also been highly developed and tested to achieve up to a **Group 1 rating** under AS/NZS 3837 (A2.4 of BCA) or up to **BAL-29 Rating** for AS 3959:2009 (Construction of Buildings in Bushfire Prone Areas, Appendix F) (EN13501-1:2007 + A1:2009) upon request.



New  
Generation

**INNOWOOD**  
**PLUS**

## INNOWOOD PLUS – NEW GENERATION

INNOWOOD PLUS, a product without coating and unparalleled longevity in appearance.

Through years of research and testing, we have developed a brand-new surface treatment technology that is implemented during the manufacturing process to add a new co-extruded protective layer to the INNOWOOD material.

With this new protective layer, we proudly present INNOWOOD PLUS. This product revolutionises both the construction and manufacturing industries, offering unparalleled durability, aesthetic appeal, and environmental sustainability.

**No cracking, flaking, or blistering. Barely perceptible change in colour when exposed to the sun for prolonged periods of time.**

### ADVANTAGES

INNOWOOD PLUS combines the benefits of INNOWOOD's composite timber with a new surface treatment technology. This combination brings a number of advantages, making it ideal for outdoor applications.

#### Durability & Weather Resistance

Provides exceptional resistance to UV radiation and weathering due to its innovative co-extruded protective layer. This layer ensures long-lasting performance and durability in areas with exposure to harsh environmental conditions.

#### Sustainability & Environmental Responsibility

By utilising recycled materials and ensuring the product is 100% recyclable, INNOWOOD PLUS aligns with sustainable building practices. This eco-friendly approach supports green construction initiatives and has a reduced environmental footprint.

#### Superior Aesthetic Appeal

Merges the natural, warm, and elegant look of timber with the new protective layer's ability to maintain colour vibrancy and gloss over time. This combination creates an aesthetically pleasing and highly durable product with a long lifespan.

#### Low Maintenance Requirements

Does not require regular coating, and does not easily fade, meaning that its minimal maintenance requirements allow for the preservation of its appearance and performance, thus saving time and maintenance costs during its service life.

#### Versatility in Applications

Can be used in a wide range of applications due to its versatile nature and ability to adapt seamlessly to various designs in both residential and commercial settings.

#### Limited Warranty on Colour

In addition to the previously mentioned benefits, for the first time, INNOWOOD offers and provides limited warranty on the colour of INNOWOOD PLUS for up to 10 years.

# COLOURS & FINISHES

INNOWOOD is a pre-finished product available in various wood textures and premium colours. The main difference between these natural wood textures and colours is the different surface treatment processes, combined with the expression of natural wood colour.

## INNOWOOD NATURAL RANGE

INNOWOOD NATURAL is available in a Brushed finish with a linear texture.

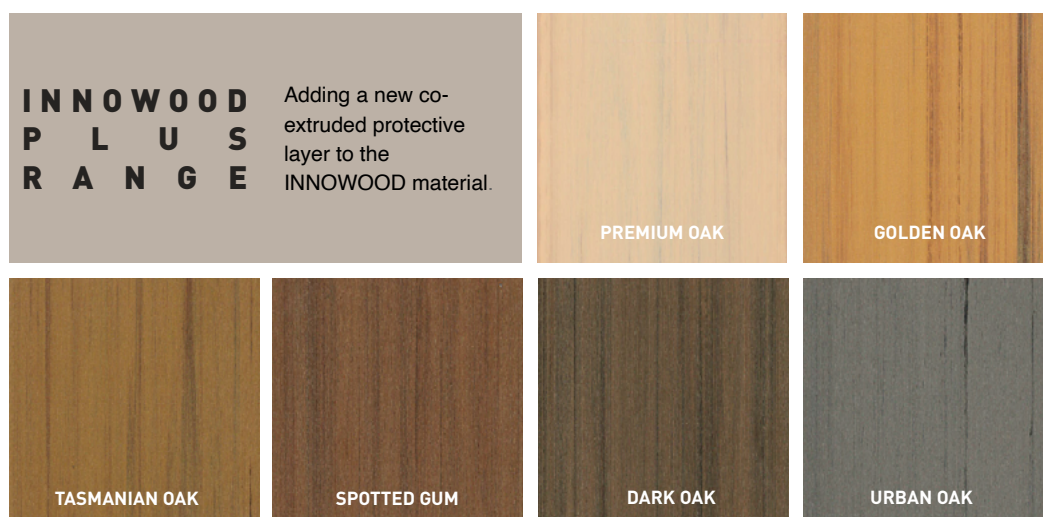
The INNOWOOD NATURAL Colour Range includes the following colours - Premium Oak, Tasmanian Oak, Kiwi Black, American Oak, Western Red Cedar, Spotted Gum, and Weathered Wood.



## INNOWOOD PLUS RANGE

INNOWOOD PLUS is available in a Brushed finish with a linear texture.

The INNOWOOD PLUS Colour Range includes the following colours - Premium Oak, Golden Oak, Tasmanian Oak, Spotted Gum, Dark Oak, and Urban Oak.



# INNOCLAD

INNOWOOD Cladding is a composite wood cladding system that enhances the look and feel of any outdoor façade and internal lining. InnoClad is ideal for any new buildings or renovations regardless of whether they are residential and commercial in both indoor and outdoor applications.

## Flexibility

Can be intergrated into any internal & external cladding designs and façades.

## Capability

Capable of being orientated either vertically or horizontally in order to deliver a clean finish with consistently spaced shadow and joint lines.

## Design Intent

InnoClad is available in varying widths and fixing methods thereby making it flexible to match any design specification.

## Benefits

Provides highly desirable warmth and character that is found in majority timber, composite products.



Parkdale House - Melbourne VIC

## EXTERNAL CLADDING

INNOWOOD external cladding systems are available in your choice of Shiplap and Concealed Clip Fixing cladding systems. With the flexibility to orientate vertically or horizontally, INNOWOOD external cladding systems deliver a clean finish with consistently spaced shadow/join lines.

## SHIPLAP FIXING SYSTEM

INNOWOOD's Shiplap Cladding System features an interlocking tongue and groove design to achieve concealed fixings while providing a conventional timber appearance with a warm, clean and durable finish. Consistently uniform shadow lines between the boards become architectural features when the boards are installed either horizontally or vertically.

### V-JOINT SHIPLAP

INNOWOOD's V-Joint Shiplap Cladding system is available in 25mm thick boards with "V" shaped tongue and groove shadow line rebate joints. INNOWOOD V-Joint Shiplap boards overlap one another, concealing the fixing and locking in the boards to give a clean finish with effective board coverages of 105mm, and 165mm. These profiles can be mixed and matched to achieve varying board widths, creating a unique architectural feature.



Profiles		
Product Code	WC13625	WC20025
Max. Span	450mm	450mm
Coverage	105mm	165mm
INNOWOOD Natural	Available	Available
INNOWOOD Plus	Available	Available

### SECRET FIXED SHIPLAP

INNOWOOD's Secret Fixed Shiplap Cladding system is available in board thicknesses of 33mm or 35mm that delivers concave and convex shaped boards that utilise the tongue and groove shadow line rebate joints. Our Secret Fixed Shiplap boards overlap one another concealing the fixing and locking in the boards to give a clean finish with board coverage of 150mm or 180mm.



Profiles		
Product Code	WC17533	WC20435
Max. Span	450mm	450mm
Coverage	150mm	180mm
INNOWOOD Natural	Available	Available
INNOWOOD Plus	Not Available	Available

# INNOCEIL

InnoCeil offers Architects and Designers the flexibility to create many architectural features including: curves, waves and shadows effects while incorporating basic building services such as lighting, ventilation, sprinklers and air vents. Our systems not only create instant sophistication as an architectural feature, but they also have a high acoustic performance rating for the ultimate sound quality and external noise reduction capabilities.

## Simplicity

InnoCeil systems are quick and easy to install. Our systems can be delivered with complete framing, suspended components and trims.

## Capability

InnoCeil systems can incorporate an unique acoustic material designed to enhance sound absorption and reduce sound transmission, making it the ideal ceiling solution.

## Design Intent

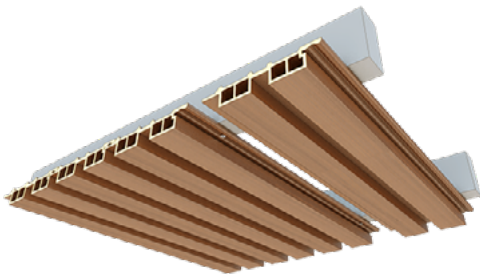
InnoCeil systems are designed to eliminate the unsightly appearance of exposed screws, nails, holes or surface fixings resulting in a clean and smooth finish.

## Benefits

InnoCeil systems are self-extinguishing and deliver excellent fire resistance. All our products have been fully tested under the Early Fire Hazard Test AS15030.3.

## SHIPLAP CEILING

Based on a traditional tongue and groove design, our Shiplap Ceiling System creates a clean finish with uniform joints without any visible fixings.



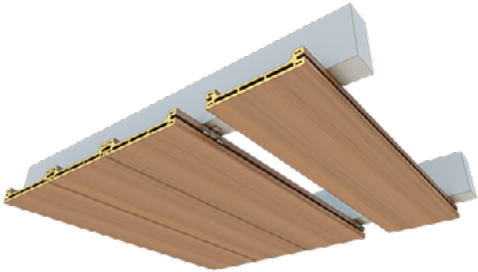
Profiles			
Product Code	CL14010	CL20010	CL17012
Max. Span	450mm	450mm	450mm
Coverage	120mm	180mm	170mm
INNOWOOD Natural	Available	Available	Available
INNOWOOD Plus	Not Available	Not Available	Not Available

Profiles						
Product Code	CL21923	CL26430	CL16728	CL27765	CL19212	CL19519
Max. Span	450mm	450mm	450mm	450mm	450mm	450mm
Coverage	195mm	240mm	148mm	250mm	175mm	175mm
INNOWOOD Natural	Available	Available	Available	Available	Available	Available
INNOWOOD Plus	Not Available	Not Available	Not Available	Not Available	Not Available	Not Available



## CONCEALED CLIP

Our Concealed Clip Fixing Ceiling System utilises a stainless steel clip attached to each profile and screwed into the ceiling substrate without exposed fixings. The system is easy to install and delivers consistent shadow lines between the boards for a smart uniform look.



Profiles		
Product Code	CL14025	CL30025
Max. Span	450mm	450mm
Coverage	140mm	300mm
INNOWOOD Natural	Available	Available
INNOWOOD Plus	Not Available	Not Available

## SUSPENDED CLICK-ON

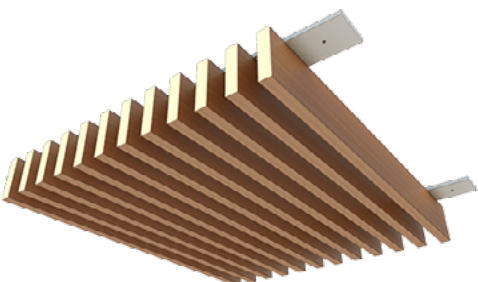
Our Suspended Click-On Fixing Ceiling System works on the principle of clipping the InnoCeil profile onto its suspended carrier to secure it in the desired position. This system is available in different sizes to suit most design requirements. The lightweight suspended Click-On system is perfect for areas where structural loads are critical. Our Click-on system makes it easy to install and replace battens.



Profiles			
Product Code	CL02050	CL03070	CL03070B
Max. Span	450mm	450mm	450mm
Coverage	20mm	30mm	30mm
INNOWOOD Natural	Available	Available	Available
INNOWOOD Plus	Not Available	Not Available	Not Available

## SLATTED CEILING

Our Slatted Ceiling System products clean straight lines that can vary in density and frequency from slat to slat with batten coverage as narrow as 50mm and spacing to suit any design, all in a wide range of configurations.



Profiles		
Product Code	CL10050	CL15050
Max. Span	450mm	450mm
Coverage	50/100mm	50/150mm
INNOWOOD Natural	Available	Available
INNOWOOD Plus	Not Available	Not Available

# INNOSCREEN

InnoScreen systems deliver multiple benefits over real timber. They are ideal for internal and external use in both commercial and residential settings and are easy to install, saving time and money.

INNOWOOD InnoScreen systems can also be used to create shade and optimise natural light while simultaneously providing privacy and security.

## Flexibility

InnoScreen systems offer the flexibility to either provide consistent uniformly spaced battens or the ability to vary the profile and pitch of individual battens to create a unique result.

## Capability

InnoScreen systems can be orientated vertically or horizontally to deliver a clean finish with consistently spaced batten.

## Design Intent

InnoScreen systems can be altered to suit your aesthetic preferences, performance requirements, installation cost requirements or any other design requirements you may have.

## Benefits

InnoScreen systems can greatly enhanced the look of your building's façade by adding warmth and a natural timber look

## CONCEALED LOCK IN FIXING

InnoScreen's Concealed Lock in Fixing System creates a perfectly clean line with battens that simply lock into place, concealing the single-part rear clip that can be set out to any desired spacing.



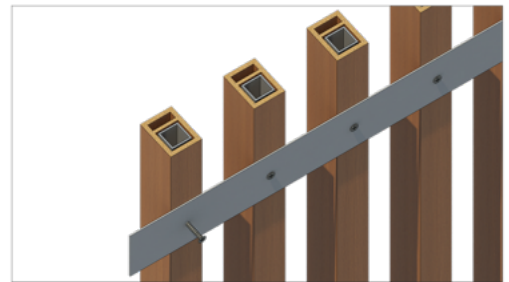
Profiles		
Product Code	PS05050	PS10050
Max. Span	450mm	450mm
Coverage	50mm	50mm
INNOWOOD Natural	Available	Available
INNOWOOD Plus	Not Available	Not Available



A Victorian style terrace house - Leichhardt NSW


## FACE & REAR FIXING

InnoScreen's Face & Rear Fixing System is a direct fixing method whereby battens are either face fixed or rear fixed directly through the profile utilising a familiar timber installation technique. InnoScreen Face & Rear Fixing Systems are also finished on all faces for applications where the batten is visible on both sides of the installation.



Profiles				
Product Code	FS04030	SS05050	RS10050	RS15050
Max. Span	450mm	450mm	450mm	450mm
Coverage	40/30mm	50mm	100/50mm	150/50mm
INNOWOOD Natural	Available	Available	Available	Available
INNOWOOD Plus	Not Available	Not Available	Not Available	Not Available

### Fixing Span with Aluminium Insert / Stiffener

Product		
Aluminium Inserts/Stiffener Size	19x19	39x39
Aluminium Inserts/Stiffener Code No.	AL01919	AL03939
Maximum Fixing Vertically Span	1000mm	2700mm
Maximum Fixing Horizontally Span	800mm	2000mm

\* Based on a single span, if larger spans are required please consult INNOWOOD.

# INNOWOOD DECKING

INNOWOOD Decking looks and feels like natural timber but delivers superior performance with none of natural timber's challenges.

INNOWOOD Decking is water and termite resistant, delivers sound insulation and acoustic qualities, does not warp, crack, splinter or split to suit your project's requirements.

**Note:**

To ensure long-term performance we recommend that a professional trade person carry out the installation. The installation must be carried out in accordance with Innowood Installation manual including the use of all trims and accessories.

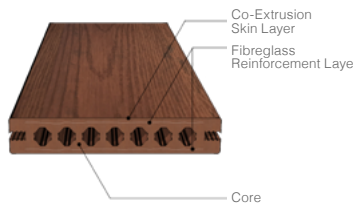
## Benefits

- Quick and Easy to Install
- No Nails and Splinter Free
- Fixing Free Surface
- Long Lasting Finish

## Applications

- Residential & Commercial Applications
- Health & Aged Care Facilities
- Educational Institutions
- Retail & Shopping Centres
- Public Spaces
- Rooftop Landscaping

## FIBA-DEK™ PREMIUM DECKING

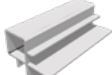
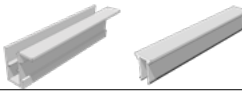



The INNOWOOD Premium "FIBA-DEK" System is a revolutionary composite product that utilises a new patented technology that fuses two fibreglass layers during the production process, within the co-extruded wood composite material.

## PREMIUM FIBA-DEK – NEW TECHNOLOGY DECKING

INNOWOOD Premium FIBA-DEK with Smart Clip Fixing System utilises hidden connectors slotted into grooves along the sides of the decking board profile which are fixed down to joists or battens. The system provides a clean hidden fixing surface. This patented technology enhances the rigidity, durability and toughness of the decking board to achieve better performance by significantly minimising the board movement at different temperatures.

Profiles	
Product Code	DB14025
Max. Span Commercial	350mm
Max. Span Residential	400mm
Coverage	146mm
Premium Deck Colour	Available
Thickness	25mm
Hidden Connectors Clip Code PL14025)	 (6mm gaps between boards)

Accessories	
Fascia Trim	
Finishing Trim	
Starter Clip	

## INNOWOOD PREMIUM FIBA-DEK COLOUR RANGE

Colour Options – Cedar, Alder, Cinnamon, Charcoal, Spotted Gum & American Oak.  
Surface Finish Options - Embossed wood grain



Cedar

Alder

Cinnamon

Charcoal


Spotted Gum

American Oak



## PLUS-DEK

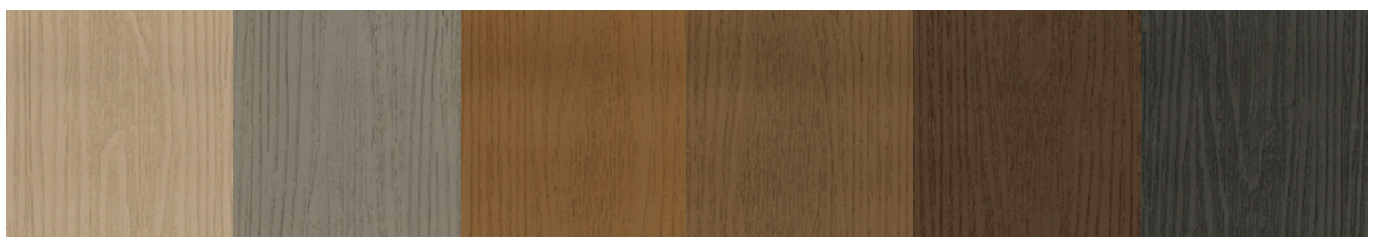
PLUS-DEK utilises the Concealed Smart Clip Fixing System which is composed of hidden connectors slotted into grooves along the sides of the decking board which are fixed down to joists or battens. This system provides a clean surface with hidden fixings that minimise the overall movement of the board.

Profiles			
Product Code/Name	DB14024	Decking Starter	Fasica Board
Max. Span Commercial	350mm	350mm	350mm
Max. Span Residential	400mm	400mm	400mm
Coverage	146mm	146mm	140mm
INNOWOOD Plus Colour	Available	Available	Available
Thickness	24mm	24mm	10mm
Hidden Connectors Clip Code DB24PC)	 (6mm gaps between boards)		

*Note:*  
 \* These are maximum spans however shorter spans may be required dependent on region and wind load, please confirm with / structural engineer prior to installation.

## INNOWOOD PLUS-DEK COLOUR RANGE

Colour Options – **White Oak, Pale Gray, Golden Teak, Merbau, Wenga & Charred.**  
 Surface Finish Options - **Embossed wood grain**



White Oak      Pale Gray      Golden Teak      Merbau      Wenga      Charred

Please bear in mind that colours may appear slightly different on delivery due to the lighting during photo shoot or different monitor settings.

# PUHINUI STATION INTERCHANGE - AUCKLAND NZ

Completed in 2021

Architect: **Jasmax**

Builder: **Symonite Panels Limited**

Distributor: **The Building Agency**

Photography: **Mark Scowen**

Product: **INNOCEIL Concealed Clip CL30025 / Group 1**



# WAI ARIKI HOT SPRINGS AND SPA – ROTORUS NZ

Completed in 2023

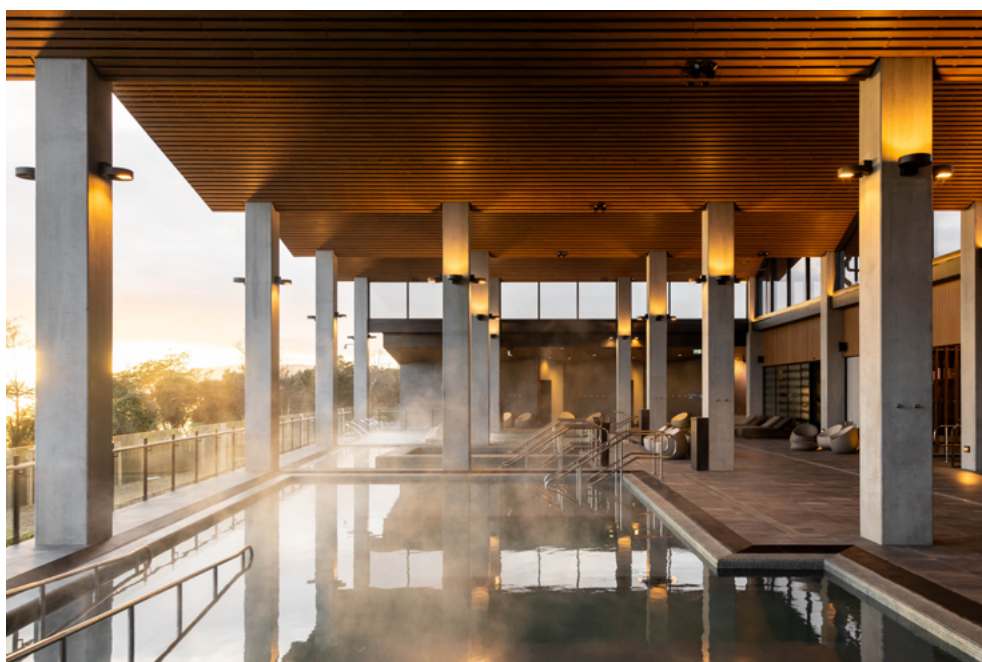
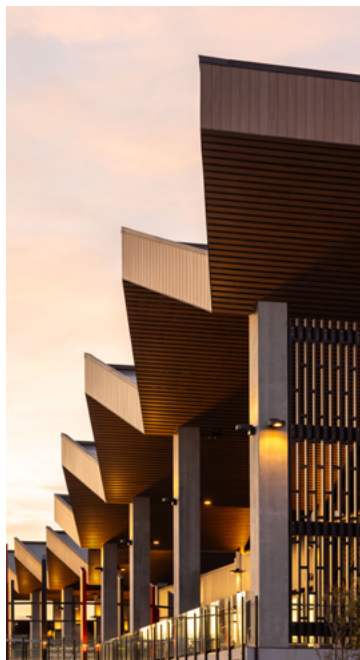
Architect: **RCG**

Distributor: **The Building Agency**

Photography: **Jono Parker**

Product: **INNOCEIL, INNOCLAD, INNOSCREEN**

**WINNER** - Te Kāhui Whaihanga NZIA  
Waikato & Bay of Plenty Architecture  
Award – Commercial Architecture 2024



# ERNEST JOHNSON OVAL PUBLIC SCHOOL - WA

Completed in 2019

Architect: **Bolling Design Group**

Builder: **AE Hoskins**

Installer: **Ceilpro Interiors**

Product: **INNOCEIL CL16728**





# CENTRAL COAST GRAMMAR SCHOOL – NSW

Completed in 2020

Architect: **NBRS Architecture**

Builder: **Reitsma Constructions**

Product: **INNOSCREEN - Face & Rear Fixing**



# JORDAN SPRINGS PUBLIC SCHOOL – NSW

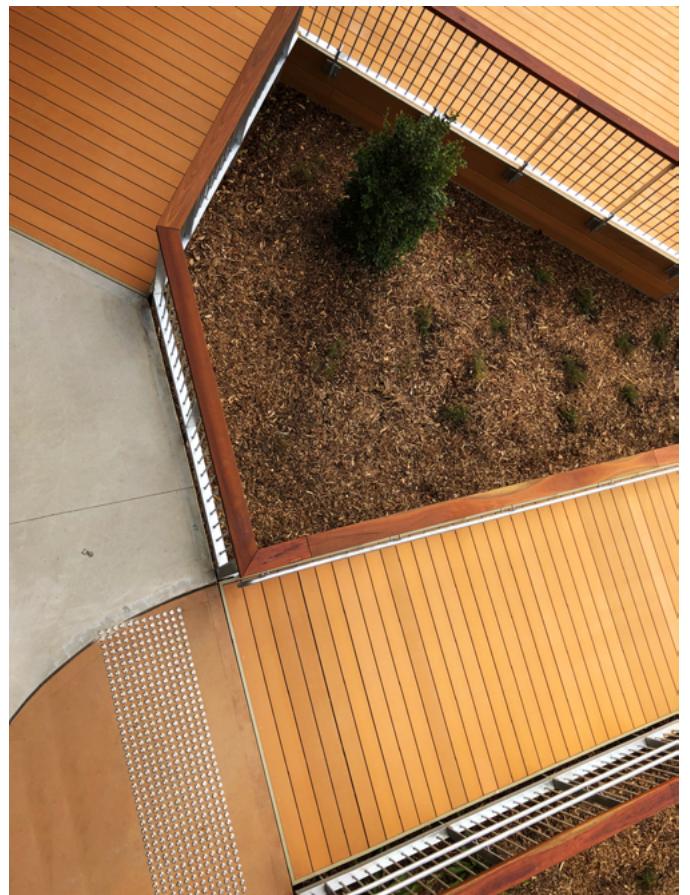
Completed in 2020

Architect: **GroupGSA**

Builder: **Richard Crookes Constructions**

Landscape Contractor: **Landscape Solutions**

Product: **PREMIUM FIBA-DEK**



# PARKDALE HOUSE – MELBOURNE VIC

Completed in 2020

Architect: **R Architecture**

Builder: **Tidon Constructions**

Photographer: **Dylan James Photo**

Product: **InnoClad Secret Fixed Shiplap WC17533**





---

phone (australia) : 1300 787 717    phone (international) : +61 2 9630 8388    email : [enquiry@innowood.com](mailto:enquiry@innowood.com)  
website : [www.innowood.com](http://www.innowood.com)    head office : 15/26-32 Pirrama Road, Pyrmont NSW 2009